

Smart solutions for global window systems.



TOP RAPID

CERNIERA AD AGGANCIAMENTO RAPIDO



Cerniera ad aggancio rapido | Fast mounting hinge
Paumelle a accrochage rapide | Bisagra de agarre rápido



Cerniera in alluminio estruso, boccole in nylon, perno e viti di serraggio M5 TSC CR in acciaio inox. TOP RAPID + Cerniera preassemblata in versione DX e SX.



Hinge in extruded aluminum, nylon bushing, stainless steel pin and M5 TSC CR tightening screws. TOP RAPID + Pre-assembled hinge in right-hand and left-hand versions.



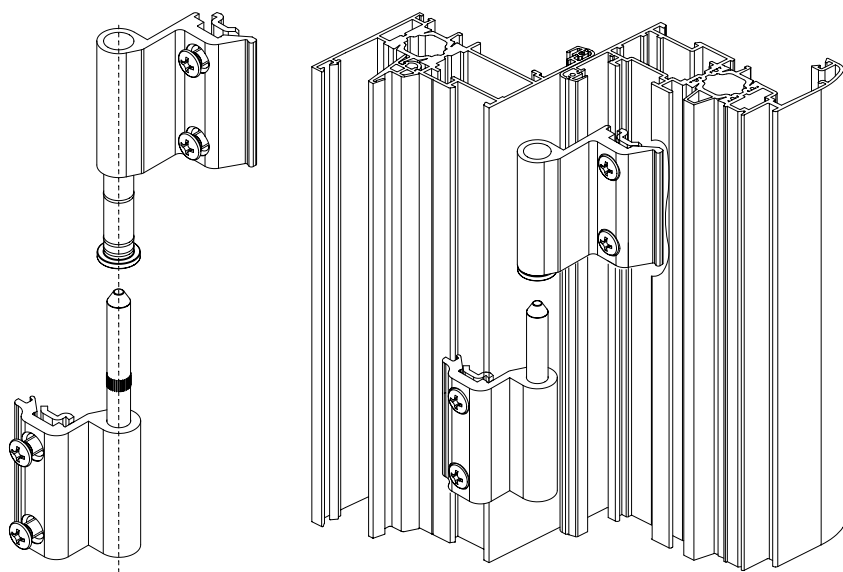
Paumelle en aluminium extrudé, bagues en nylon, pivot et vis de serrage M5 TSC CR en acier inox. TOP RAPID + Paumelle pré assemblée en version droite et gauche.



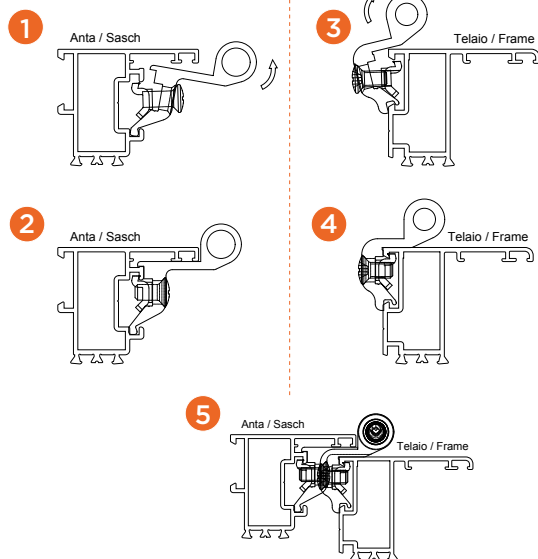
Bisagra de aluminio extruido, casquillos de nylon, pernio y tornillos de ajuste M5 TSC CR de acero inox. TOP RAPID + Bisagra pre-ensamblada en versión Derecha e Izquierda.



ART.	TOP RAPID 9XXX.3 .33 .6 .36				TOP RAPID + 9XXX.23X .233X				TOP RAPID + 9XXX.25X .253X			
Imballo Package Conditionnement Embalaje	50 PZ				50 PZ				25 PZ			
Finiture disponibili Available finishes Finitions disponibles Acabados disponibles	1	2	3	4	1	2	3	4	1	2	3	4



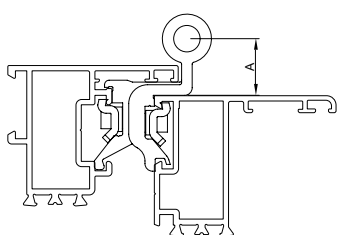
MONTAGGIO | ASSEMBLING



TOP RAPID			
ART.		ART.	
9XXX.3		9XXX.6	
9XXX.33		9XXX.36	

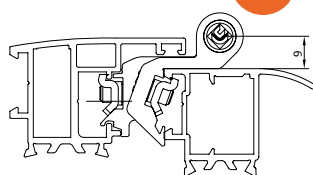
TOP RAPID +			
ART.		ART.	
9XXX.23D 9XXX.25D		9XXX.23S 9XXX.25S	
9XXX.233D 9XXX.253D		9XXX.233S 9XXX.253S	

TOP RAPID	TOP RAPID +	TOP RAPID 3	A	NODO SECTION
9127.3	9127.23	9127.6	19	A12
9129.3	-----	9129.6	19	B13
9131.3	9131.23	9131.6	7,8	A11
9133.3	9133.23	9133.6	14,8	A12-B08
9141.3	9141.23	9141.6	8,8	A05-A06
9211.3	9211.23	9211.6	9	A01-A02
9212.3	9212.23	9212.6	9	A03-A04-A07
9213.33	9213.233	9213.36	17	A01-A02-B03
9217.33	-----	-----	18	A01-A02
9226.3	9226.23	9226.6	15	B01-B02
9227.3	9227.23	9227.6	18,5	A01-A02-B01-B02
9235.3	-----	9235.6	7,5	A13
9242.3	-----	9242.6	14	A13
9331.3	9331.23	9331.6	7,8	A10
9337.3	9337.23	9337.6	16,5	B07
9353.3	9353.23	9353.6	16,5	A17
9412.3	-----	9412.6	16,3	A14
9431.3	9431.23	9431.6	7,3	A14-A16
9616.3	9616.23	9616.6	7,3	A08
9621.33	-----	9621.36	7,3	A08-A23
9626.3	-----	9626.6	15	B04
9627.33	-----	9627.36	31,7	B04
9630.3	9630.23	9630.6	7,3	A09
9632.3	9632.23	9632.6	19	A08-A23
9640.3	-----	-----	19	B04



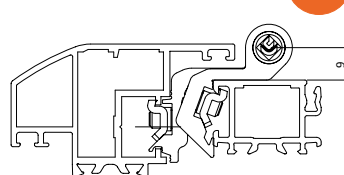
Art. 9203.33

NEW



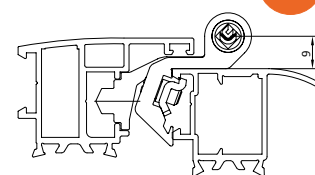
Art. 9204.33

NEW



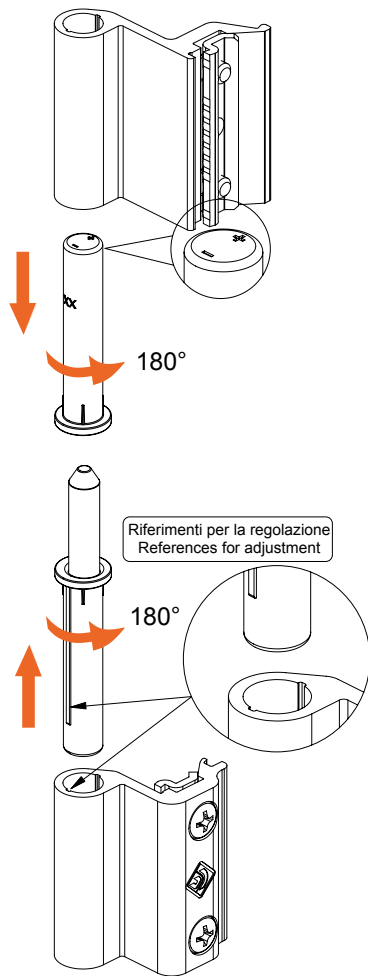
Art. 9205.33

NEW

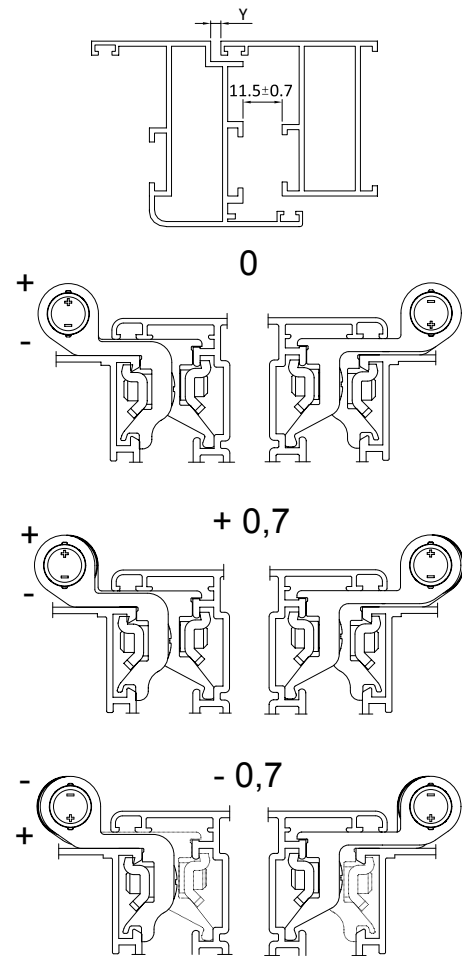


TOP RAPID	TOP RAPID +	TOP RAPID 3	A	NODO SECTION
9203.33	----	----	9	A28
9204.33	----	----	9	A29
9205.33	----	----	9	A28
9201.3	----	----	9	A01 - A02
9202.3	----	----	9	A03 - A04 - A07

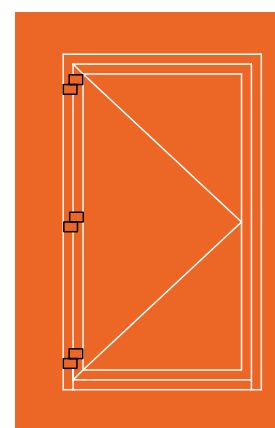
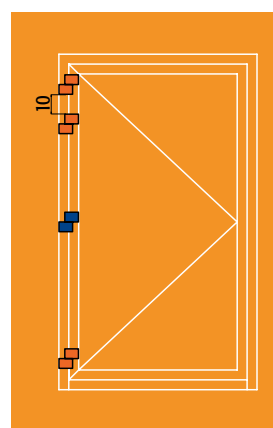
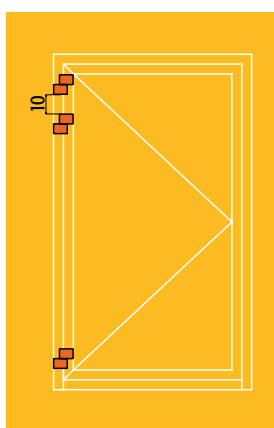
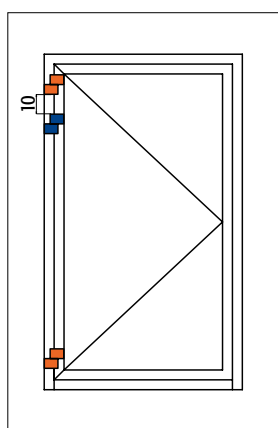
REGOLAZIONI | ADJUSTMENTS



REGOLAZIONI IN FUGA
INTER SPACE ADJUSTMENTS



H	2800	100%	100%	100%	100%	100%	100%	100%	100%	100%
	2700	100%	100%	100%	100%	100%	100%	100%	100%	100%
	2600	100%	100%	100%	100%	100%	100%	100%	100%	100%
	2500	100%	100%	100%	100%	100%	100%	100%	100%	100%
	2400	100%	100%	100%	100%	100%	100%	100%	100%	100%
	2300	100%	100%	100%	100%	100%	100%	100%	100%	100%
	2200	100%	100%	100%	100%	100%	100%	100%	100%	97%
	2100	100%	100%	100%	100%	100%	100%	100%	100%	90%
	2000	100%	100%	100%	100%	100%	100%	100%	94%	83%
	1900	100%	100%	100%	100%	100%	100%	98%	86%	76%
	1800	100%	100%	100%	100%	100%	100%	90%	78%	69%
	1700	100%	100%	100%	100%	100%	95%	82%	71%	61%
	1600	100%	100%	100%	100%	100%	85%	73%	63%	54%
	1500	100%	100%	100%	100%	90%	76%	65%	55%	N.D.
	1400	100%	100%	100%	96%	80%	67%	57%	N.D.	N.D.
	1300	100%	100%	100%	84%	70%	58%	N.D.	N.D.	N.D.
1200	100%	100%	90%	73%	60%	N.D.	N.D.	N.D.	N.D.	
1100	100%	97%	78%	62%	50%	N.D.	N.D.	N.D.	N.D.	
1000	100%	83%	65%	51%	N.D.	N.D.	N.D.	N.D.	N.D.	
		600	700	800	900	1000	1100	1200	1300	1400
		L								



Esempio | 1. Dim. LxH (WxH) 1200x2200 = 100% Portata 2 cerniere (Load Capacity 2 hinges)
2. Dim. LxH (WxH) 1200x2300 = 100% Portata 3 cerniere (Load Capacity 3 hinges)
3. Dim. LxH (WxH) 1400x2800 = 100% Portata 4 cerniere (Load Capacity 4 hinges)

I diagrammi hanno validità per spessore profili (Load charts is for profiles thickness) \geq a 1,5 mm

ART.	PORTATA LOAD CAPACITY
	100% = 80 Kg
	100% = 100 Kg



SCANSIONA IL QR CODE E GUARDA
IL NOSTRO CANALE YOUTUBE
*SCAN QR CODE AND FIND OUT
MASTER TUBE CHANNEL.*



Master Italy S.r.l.
S.P. 37 Conversano - Castiglione km 0,570 - Conversano (BA) Italy
Customer Service +39 080 4959823 -Fax. +39 080 4959030
info@masteritaly.com

MASTER implements its environmental policy by FSC Certification and by using low environmental impact inks.
This product has been printed under chain of custody (COC) and using only vegetable based inks.

