

Smart solutions for global window systems.



WEEN

BRACCIO PER ANTA RIBALTA



Braccio anta ribalta Ween | Ween tilt and turn arm
Bras oscillo-battant Ween | Compás oscilobatiante Ween



Leve, viti e grani in Acciaio inox, corpo in zama, antivento in nylon



Levers, screw and setscrews in stainless steel, zamak body, nylon windproof system



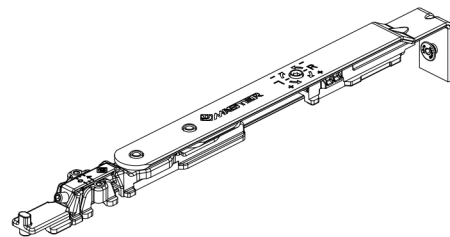
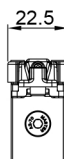
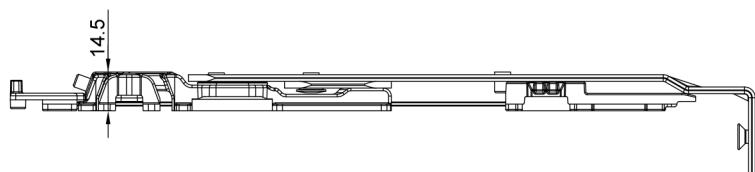
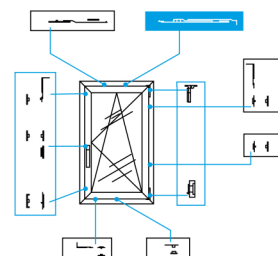
Leviers, vis et grains en acier inox, corps en zamak, système protégeant du vent en nylon



Levas, tornillos y prisioneros de acero inox, cuerpo de zamak, sistema contaviento de nylon



ART.	TUTTI ALL TOUS TODOS
Imballo Package Conditionnement Embalaje	5 Pz
Finiture disponibili Available finishes Finitions disponibles Acabados disponibles	1 2 3 4



ANTA RIBALTA TILT AND TURN		
DESCRIZIONE DESCRIPTION	ART.	NODO SECTION
L anta da 370mm a 450mm L sash from 370mm to 450mm	3400.20**	A01 - A02 - A03 - A04 - A05 - A06 - A07
L anta da 451mm a 650mm L sash from 451mm to 650mm	3400.21*	A01 - A02 - A03 - A04 - A05 - A06 - A07
L anta da 651mm a 1700mm L sash from 651mm to 1700mm	3400.22*	A01 - A02 - A03 - A04 - A05 - A06 - A07

LOGICA TILT BEFORE TURN		
DESCRIZIONE DESCRIPTION	ART.	NODO SECTION
L anta da 370mm a 450mm L sash from 370mm to 450mm	3400L.20 **	A01 - A02 - A03 - A04 - A05 - A06 - A07
L anta da 451mm a 650mm L sash from 451mm to 650mm	3400L.21*	A01 - A02 - A03 - A04 - A05 - A06 - A07
L anta da 651mm a 1700mm L sash from 651mm to 1700mm	3400L.22*	A01 - A02 - A03 - A04 - A05 - A06 - A07

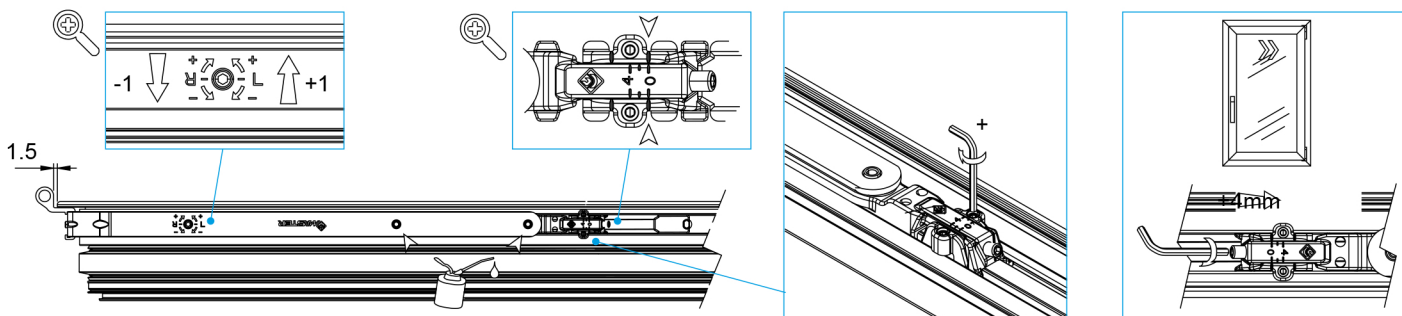
* Perno microventilazione integrato
* Microventilation pin built-in

** Braccio con aggancio antieffrazione
** Arm with anti-burglar connection

* Perno microventilazione integrato
* Microventilation pin built-in

** Braccio con aggancio antieffrazione
** Arm with anti-burglar connection

REGOLAZIONI | ADJUSTEMENT





SCANSIONA IL QR CODE E GUARDA
IL NOSTRO CANALE YOUTUBE
*SCAN QR CODE AND FIND OUT
MASTER TUBE CHANNEL.*



Master Italy S.r.l.
S.P. 37 Conversano - Castiglione km 0,570 - Conversano (BA) Italy
Customer Service +39 080 4959823 -Fax. +39 080 4959030
info@masteritaly.com

MASTER implements its environmental policy by FSC Certification and by using low environmental impact inks.
This product has been printed under chain of custody (COC) and using only vegetable based inks.

