

Smart solutions for global window systems.



SEMPLICE

MANIGLIA A TAVELLINO CON COPRICASSA A ROTAZIONE



Maniglia a tavellino con copricassa a rotazione | Lever handle with rotating case cover | Poignee a olive avec couvre-caisse a rotation | Manilla de presión con cobertura caja a rotación



Manico, cassa e copertura riscontro in zama; nasello in zama zincata; base riscontro e spessori in nylon; viti in acciaio zincato.



Handle, case and plate cover in zamak; galvanized zamak nib; nylon base plate and thickness; galvanized steel screws.



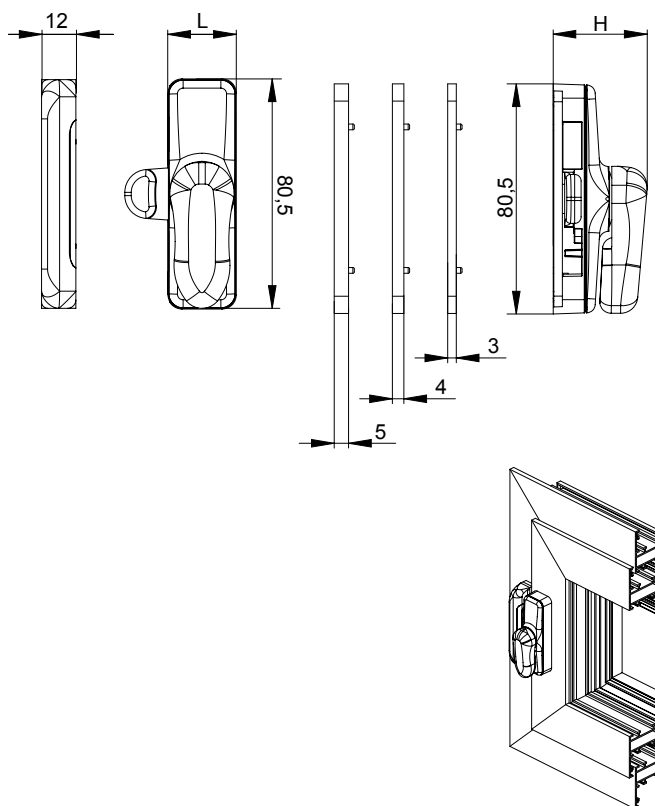
Manche, caisse et couverture gâche en zamak; pêne en zamak zingué; base gâche et cales en nylon; vis en acier zingué.



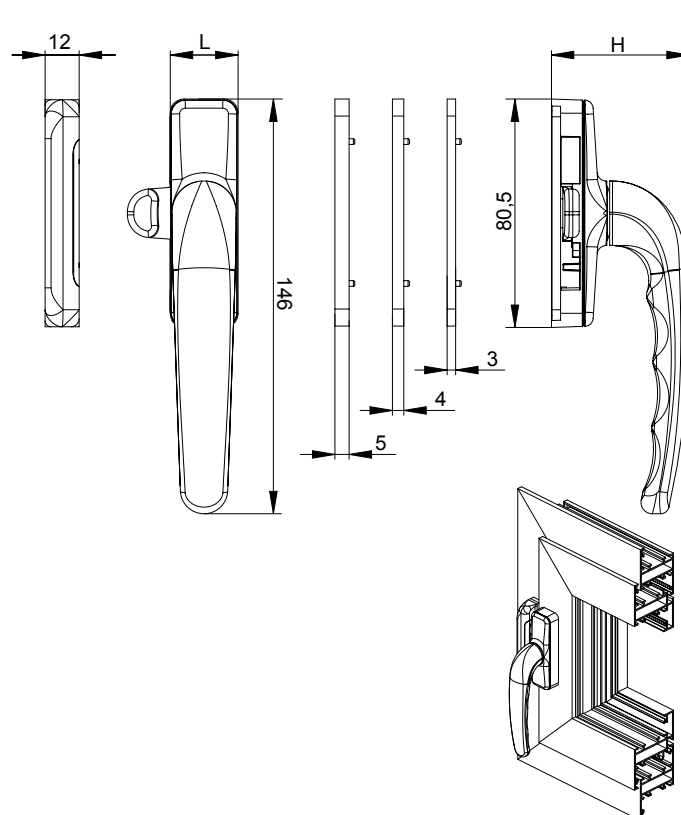
Mango, caja y cobertura cerradero de zamak; gancho de zamak galvanizado; base cerradero y espesores de nylon; tornillos de acero galvanizado.

ART.	3032 3042			
Imballo Package Conditionnement Embalaje	20 Pz			
Finiture disponibili Available finishes Finitions disponibles Acabados disponibles	1	2	3	4

Art. 3032



Art. 3042



DESCRIZIONE DESCRIPTION	ART.	L	H
Con impugnatura ridotta With reduced grip	3032	24	33
Con impugnatura normale With standard grip	3042	24	48.7



SCANSIONA IL QR CODE E GUARDA
IL NOSTRO CANALE YOUTUBE
*SCAN QR CODE AND FIND OUT
MASTER TUBE CHANNEL.*



Master Italy S.r.l.
S.P. 37 Conversano - Castiglione km 0,570 - Conversano (BA) Italy
Customer Service +39 080 4959823 -Fax. +39 080 4959030
info@masteritaly.com

MASTER implements its environmental policy by FSC Certification and by using low environmental impact inks.
This product has been printed under chain of custody (COC) and using only vegetable based inks.

